

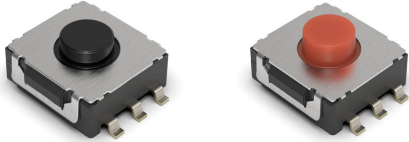
TACT Switch™ Surface Mount Type

8.0mm Square Double Action Type (Surface Mount)

SKUJ Series

Smart Double action engineering for a more spacious vehicle interior.

 Automotive



- Series type: Sharp feeling type
- Absolute Maximum Ratings: 50mA 16V DC
- Rating (min.): 10 μ A 1V DC

Applications: Automotive: Power Windows, Steering

Product List

Products No.	Operating direction	Operating force (N)	Travel (mm)	Operating life (cycles)	Initial contact resistance	Dimensions (W×D×H) (mm)	Water-proof	Dust-proof	Automotive	Drawing No.
SKUJAAE010	Top push	1st 3.8, 2nd 6.4	1st 0.35, All 0.6	100,000	500m Ω max.	8.0×8.0×4.0	—	—	●	1
SKUJBBE010	Top push	1st 4.0, 2nd 8.0	1st 0.5, All 0.95	100,000	500m Ω max.	8.0×8.0×4.5	—	—	●	2

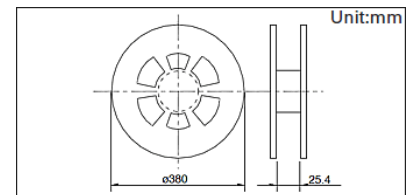
Note

1. This catalog shows only outline specifications. When using the products, please obtain formal specifications for supply.
2. Please place purchase orders for taping products per minimum order unit (1 reel or a case).

Packing Specifications

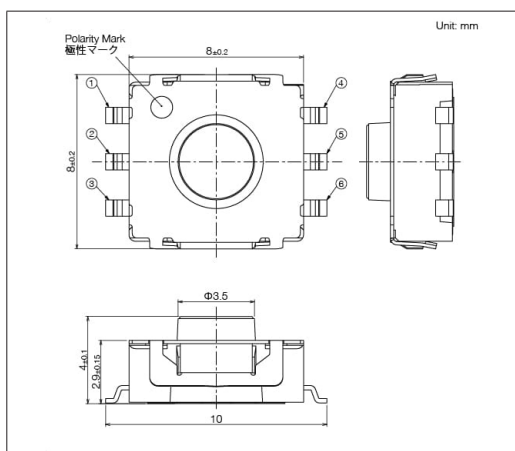
Taping

Products No.	Number of packages (pcs.)			Tape width (mm)	Export package measurements (mm)
	1 reel	1 case / Japan	1 case / export packing		
SKUJAAE010	1,300	7,800	7,800	24	395 x 395 x 205
SKUJBBE010	1,200	7,800	7,800	24	395 x 395 x 205

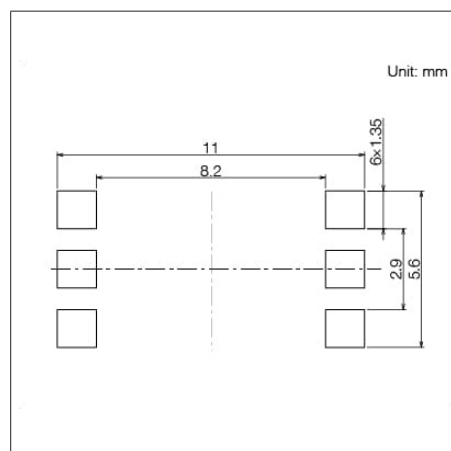


Drawing No.1

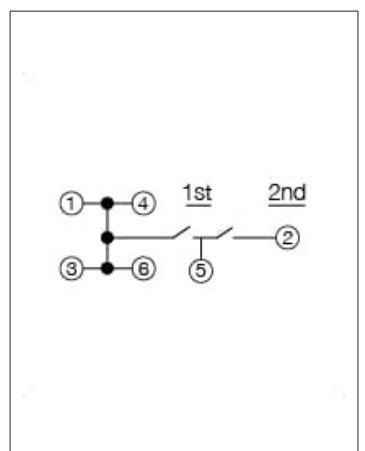
Dimensions



Land Dimensions



Circuit Diagram



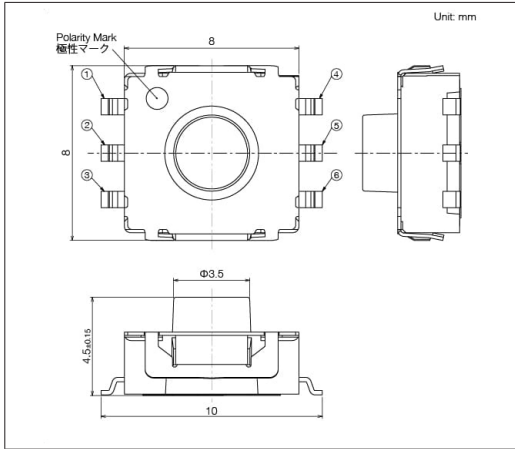
Viewed from mounting face.

TACT Switch™ Surface Mount Type

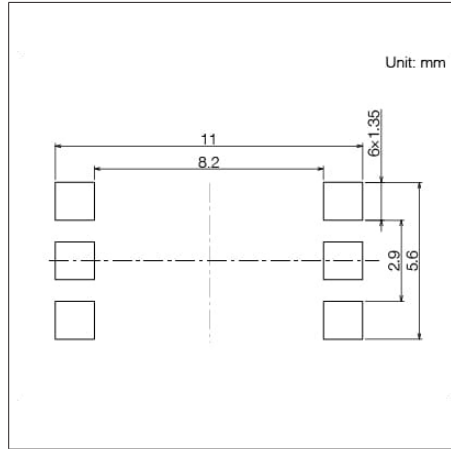
8.0mm Square Double Action Type (Surface Mount)
SKUJ Series

Drawing No.2

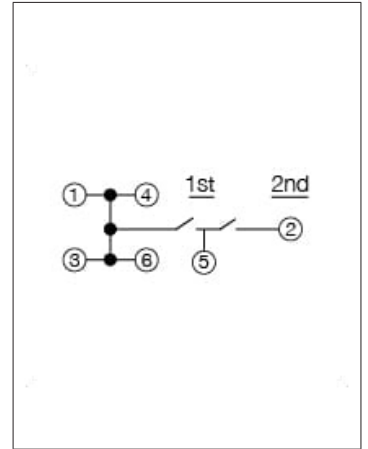
■ Dimensions



■ Land Dimensions



■ Circuit Diagram



Viewed from mounting face.