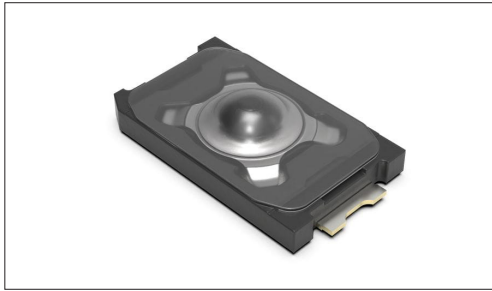


# TACT Switch™ Surface Mount Type

2.4×1.4mm Compact Type with Projection (Surface Mount)

## SKUB Series

Compact, thin-profile type with a height of 0.55mm, compliant with IP6X equivalent/IPX8.



Water-proof Type

Dust-proof Type

- Series type: Sharp feeling type
- Absolute Maximum Ratings: 50mA 12V DC
- Rating (min.): 10μA 1V DC

Applications: Mobile: Smartphones, tablets, Headsets, wearables

■ Product List

Products No.	Operating direction	Operating force (N)	Travel (mm)	Operating life (cycles)	Initial contact resistance	Dimensions (W×D×H) (mm)	Water-proof	Dust-proof	Water-proof & Dust-proof	Automotive	Drawing No.
SKUBABE010	Top push	1.6	0.11	500,000	500mΩ max.	2.4×1.4×0.55	●	●	IP6X equivalent/IPX8	—	1

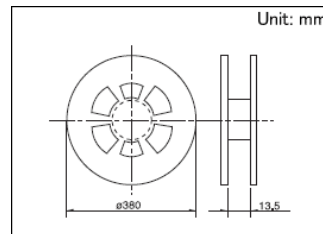
Note

1. This catalog shows only outline specifications. When using the products, please obtain formal specifications for supply.
2. Please place purchase orders for taping products per minimum order unit (1 reel or a case).
3. Protective structure :  
IP6X equivalent/IPX8 dust and water resistance is guaranteed for the switch alone and performance may not be guaranteed depending on the mounting conditions and usage.

■ Packing Specifications

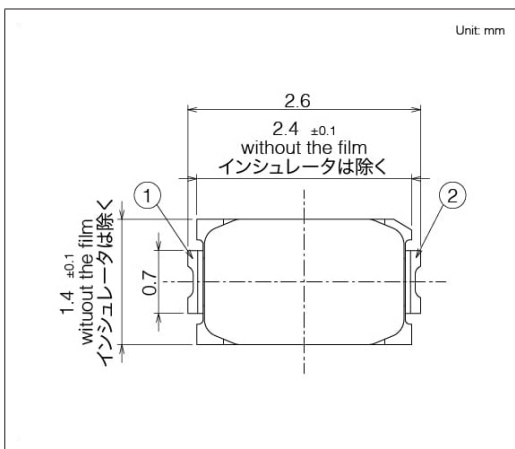
Taping

Number of packages (pcs.)			Tape width (mm)	Export package measurements (mm)
1 reel	1 case / Japan	1 case / export packing		
20,000	200,000	200,000	12	395 x 395 x 205

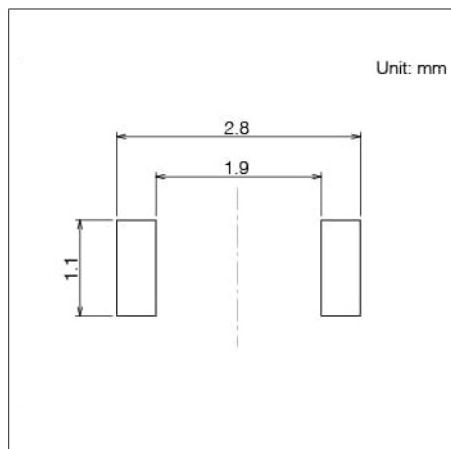


### Drawing No.1

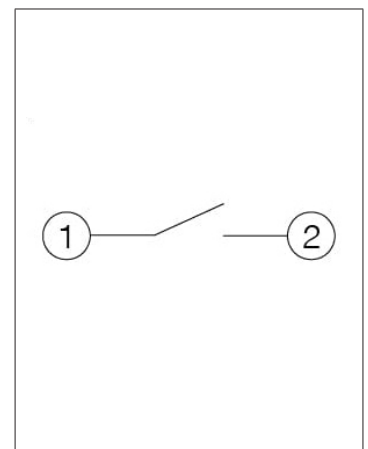
■ Dimensions



■ Land Dimensions



■ Circuit Diagram



Viewed from mounting face.