

TACT Switch™ Surface Mount Type

2.6×1.6mm Compact Type with Projection (Surface Mount)

SKTA Series

Compact, thin-profile type with a height of 0.52/0.53/0.55mm, compliant with IP6X equivalent/IPX7.



 Water-proof Type

 Dust-proof Type

- Series type: Sharp feeling type
- Absolute Maximum Ratings: 50mA 12V DC
- Rating (min.): 10μA 1V DC

Applications: Mobile: Smartphones, tablets, Headsets, wearables,
Notebooks, peripherals
Healthcare: Healthcare equipment

Product List

Products No.	Operating direction	Operating force (N)	Operation sound	Travel (mm)	Operating life (cycles)	Initial contact resistance	Dimensions (W×D×H) (mm)	Water-proof	Dust-proof	Water-proof & Dust-proof	Automotive	Drawing No.
SKTAACE010	Top push	1.0	standard	0.11	300,000	500mΩ max.	2.6×1.6×0.53	●	●	IP6X equivalent/IPX7	—	1
SKTAAAE010	Top push	1.6	standard	0.11	300,000	500mΩ max.	2.6×1.6×0.53	●	●	IP6X equivalent/IPX7		
SKTABEE010	Top push	2.4	standard	0.11	500,000	500mΩ max.	2.6×1.6×0.55	●	●	IP6X equivalent/IPX8		2
SKTACBE010	Top push	0.7	Low operation sound	0.08	500,000	500mΩ max.	2.6×1.6×0.52	●	●	IP6X equivalent/IPX8		3
SKTACCE010	Top push	1.0	Low operation sound	0.08	500,000	500mΩ max.	2.6×1.6×0.55	●	●	IP6X equivalent/IPX8		4
SKTACAE010	Top push	1.3	Low operation sound	0.08	500,000	500mΩ max.	2.6×1.6×0.55	●	●	IP6X equivalent/IPX8		
SKTACDE010	Top push	1.6	Low operation sound	0.08	500,000	500mΩ max.	2.6×1.6×0.55	●	●	IP6X equivalent/IPX8		

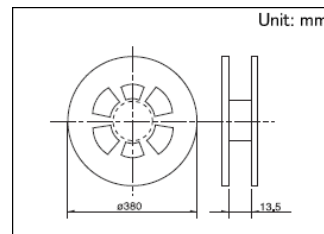
Note

- This catalog shows only outline specifications. When using the products, please obtain formal specifications for supply.
- Please place purchase orders for taping products per minimum order unit (1 reel or a case).
- Protective structure :
Assumes the switch is left alone without being operated. Under the specified conditions, dust and water ingress with a significant impact on the switch' s on-off function is prevented.
IP6X equivalent/IPX7, or IP6X equivalent/IPX8, dust and water resistance is guaranteed for the switch alone and performance may not be guaranteed depending on the mounting conditions and usage.

Packing Specifications

Taping

Number of packages (pcs.)			Tape width (mm)	Export package measurements (mm)
1 reel	1 case / Japan	1 case / export packing		
20,000	200,000	200,000	12	395 x 395 x 205



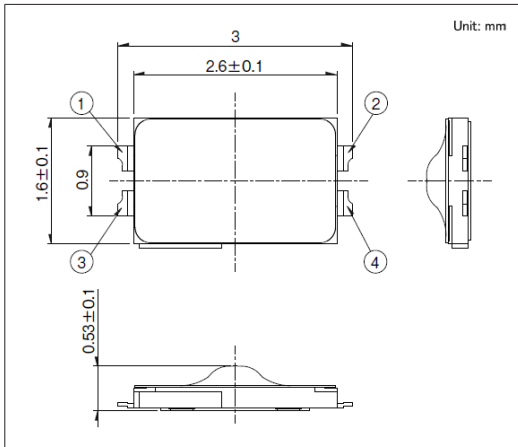
TACT Switch™ Surface Mount Type

2.6×1.6mm Compact Type with Projection (Surface Mount)

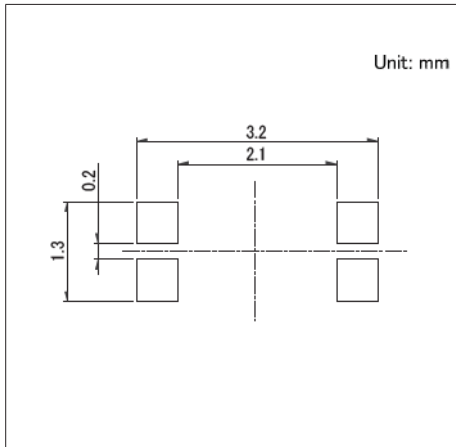
SKTA Series

Drawing No.1

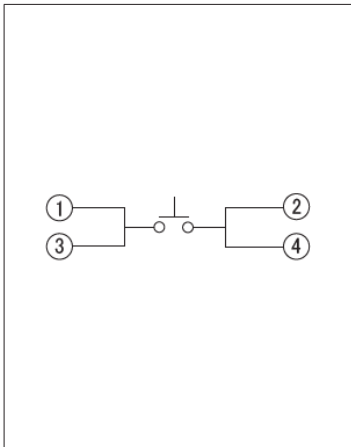
■ Dimensions



■ Land Dimensions



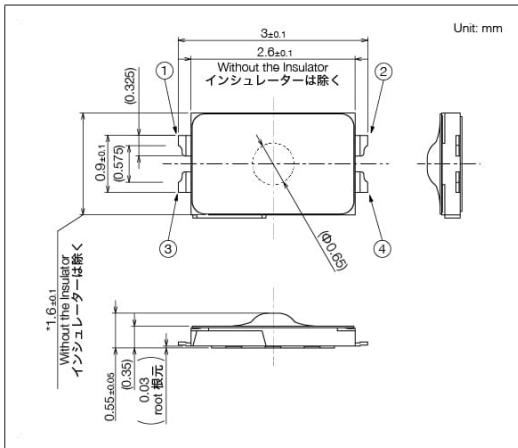
■ Circuit Diagram



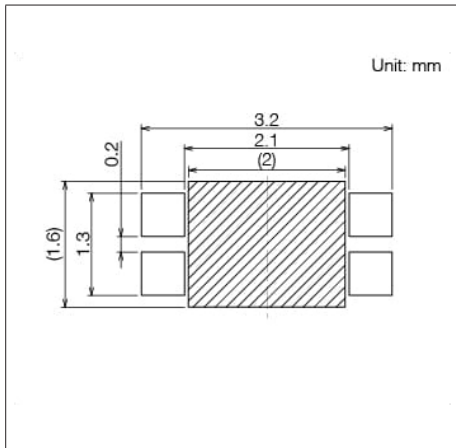
Viewed from mounting face.

Drawing No.2

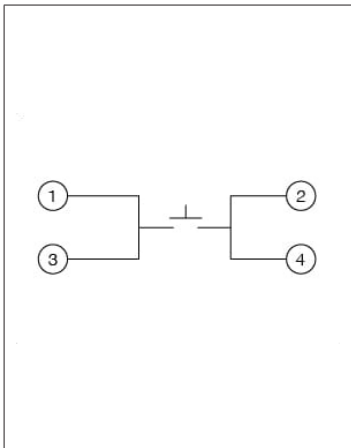
■ Dimensions



■ Land Dimensions



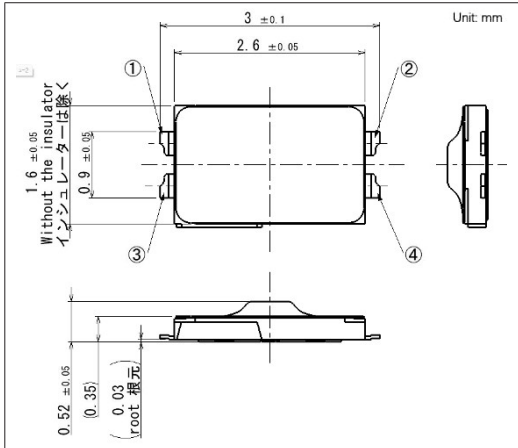
■ Circuit Diagram



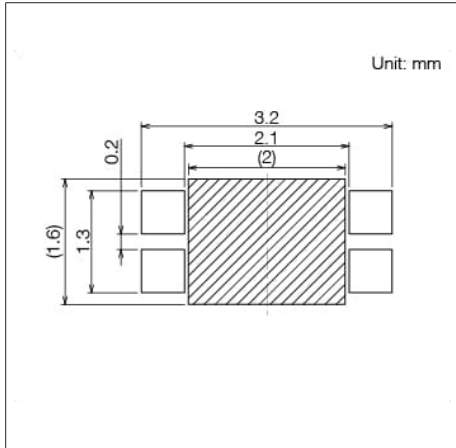
Viewed from mounting face.

Drawing No.3

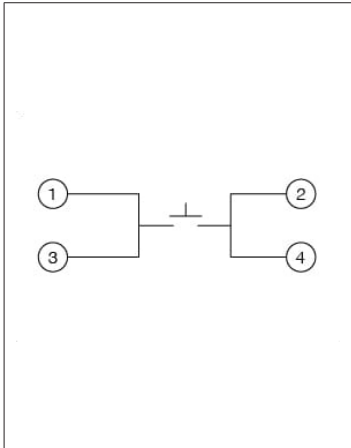
■ Dimensions



■ Land Dimensions



■ Circuit Diagram



Viewed from mounting face.

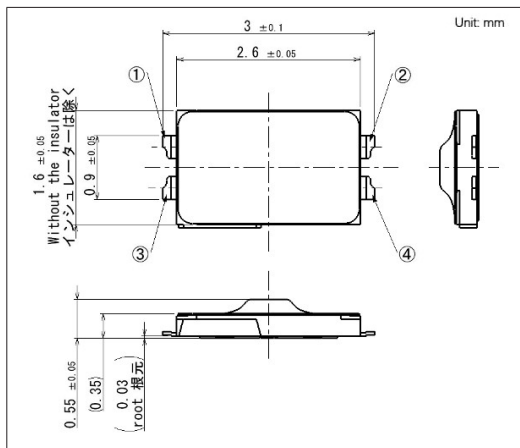
TACT Switch™ Surface Mount Type

2.6×1.6mm Compact Type with Projection (Surface Mount)

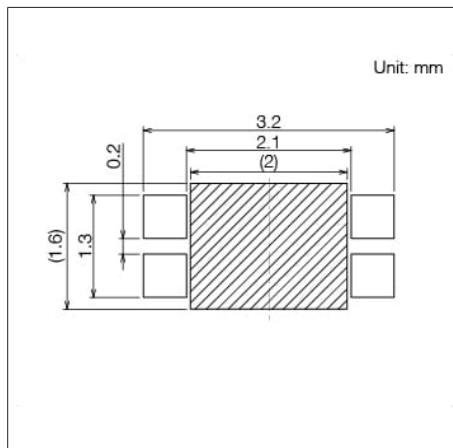
SKTA Series

Drawing No.4

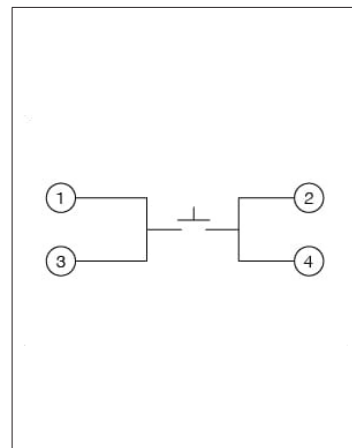
■ Dimensions



■ Land Dimensions



■ Circuit Diagram



Viewed from mounting face.