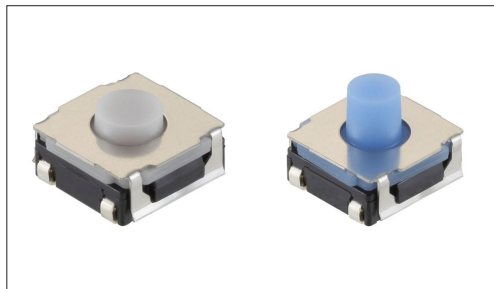


TACT Switch™ Surface Mount Type

6.2mm Square (Surface Mount) SKRA Series

Variety of mid-stroke types with rubber stems and 0.25–0.55mm travel.



Automotive

Water-proof Type

Dust-proof Type

※Please check the product list for compatible products

- Series type: Sharp feeling type
- Absolute Maximum Ratings: 50mA 12V DC
- Rating (min.): 10μA 1V DC

Applications: Mobile: Notebooks, peripherals
 Energy_Industrial: Robots, drones, Industrial equipment, Converters
 Game: Home handheld consoles, Virtual/augmented reality
 Healthcare: Healthcare equipment, Nursing care equipment, Analysis, test equipment
 Home: Major home appliances, Office equipment
 Automotive: Navigation/audio systems, HVAC, Overhead consoles, Steering, Shifter

Product List

Products No.	Operating direction	Operating force (N)	Operation sound	Travel (mm)	Operating life (cycles)	Initial contact resistance	Dimensions (W×D×H) (mm)	Water-proof	Dust-proof	Water-proof & Dust-proof	Automotive	Drawing No.
SKRAAWE010	Top push	0.6	standard	0.3	4,000,000	100mΩ max	6.2×6.2×3.5	—	—	—	—	1
SKRAAKE010	Top push	2.45	standard	0.3	100,000	100mΩ max	6.2×6.2×3.5	●	●	IP6X equivalent/IPX7	●	2
SKRAALE010	Top push	3.92	standard	0.35	100,000	100mΩ max.	6.2×6.2×3.5	●	●	IP6X equivalent/IPX7	●	
SKRAAME010	Top push	1.96	standard	0.5	100,000	100mΩ max.	6.2×6.2×5.2	●	●	IP6X equivalent/IPX7	●	3
SKRAAQE010	Top push	3.43	standard	0.55	100,000	100mΩ max.	6.2×6.2×5.2	●	●	IP6X equivalent/IPX7	●	
SKRABCE010	Top push	1.2	standard	0.4	3,000,000	100mΩ max.	6.2×6.2×3.5	—	—	—	—	1
SKRABGE010	Top push	2.0	standard	0.25	2,000,000	100mΩ max.	6.2×6.2×3.5	●	●	IP6X equivalent/IPX7	—	2
SKRABNE010	Top push	2.0	standard	0.4	5,000,000	100mΩ max.	6.2×6.2×3.4	●	●	IP6X equivalent/IPX7	—	4
SKRACAE010	Top push	0.6	Low operation sound	0.25	10,000,000	100mΩ max.	6.2×6.2×3.5	—	●	IP6X equivalent	—	5
SKRACBE010	Top push	1.2	Low operation sound	0.3	5,000,000	100mΩ max.	6.2×6.2×3.55	—	●	IP6X equivalent	—	6
SKRACCE010	Top push	1.6	Low operation sound	0.35	3,000,000	100mΩ max.	6.2×6.2×3.55	—	●	IP6X equivalent	—	

Note

1. This catalog shows only outline specifications. When using the products, please obtain formal specifications for supply.
2. Please place purchase orders for taping products per minimum order unit (1 reel or a case).
3. Protective structure :

Assumes the switch is left alone without being operated. Under the specified conditions, dust and water ingress with a significant impact on the switch's on-off function is prevented.

IP6X equivalent/IPX7 dust and water resistance is guaranteed for the switch alone and performance may not be guaranteed depending on the mounting conditions and usage.

TACT Switch™ Surface Mount Type

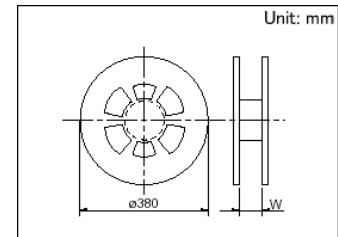
6.2mm Square (Surface Mount)

SKRA Series

■ Packing Specifications

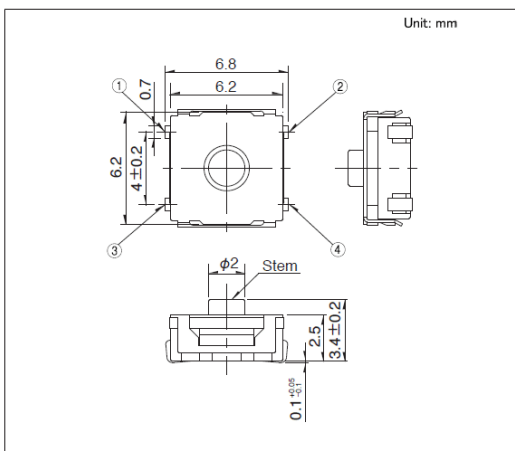
Taping

Products No.	Number of packages (pcs.)			Reel width W (mm)	Tape width (mm)	Export package measurements (mm)
	1 reel	1 case / Japan	1 case / export packing			
SKRAAWE010 SKRAAKE010 SKRAALE010 SKRABCE010 SKRABGE010 SKRABNE010 SKRACAE010 SKRACBE010 SKRACCE010	3,000	30,000	30,000	13.5	12	395 x 395 x 205
SKRAAME010 SKRAAQE010	1,400	11,200	11,200	17.5	16	395 x 395 x 205

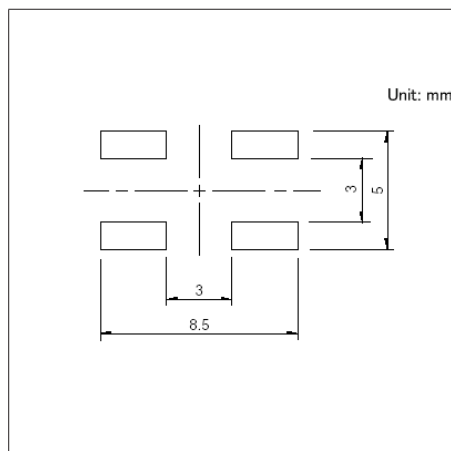


Drawing No.1

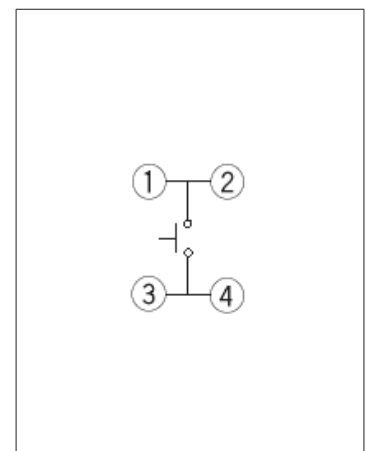
■ Dimensions



■ Land Dimensions



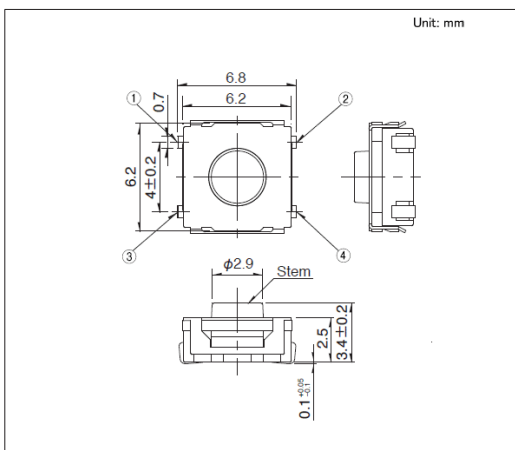
■ Circuit Diagram



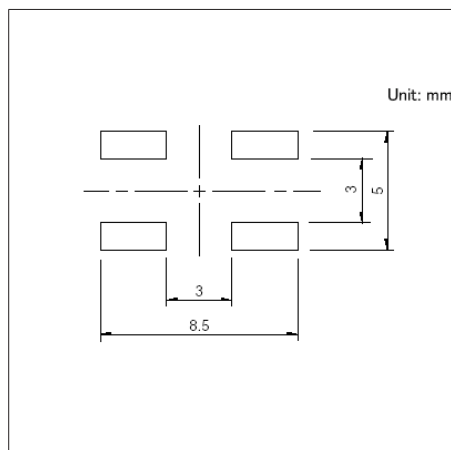
Viewed from switch mounting face

Drawing No.2

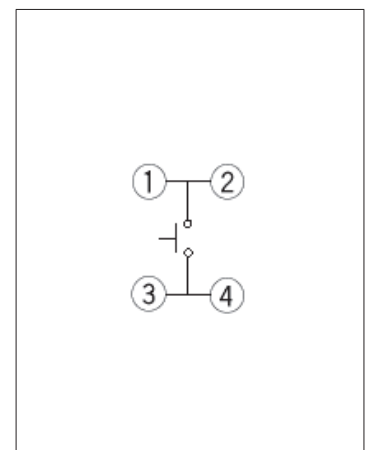
■ Dimensions



■ Land Dimensions



■ Circuit Diagram



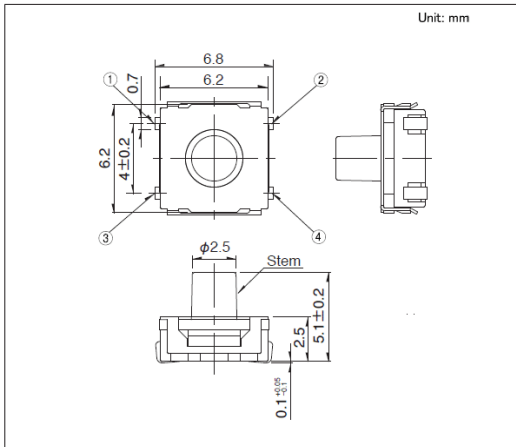
Viewed from switch mounting face

TACT Switch™ Surface Mount Type

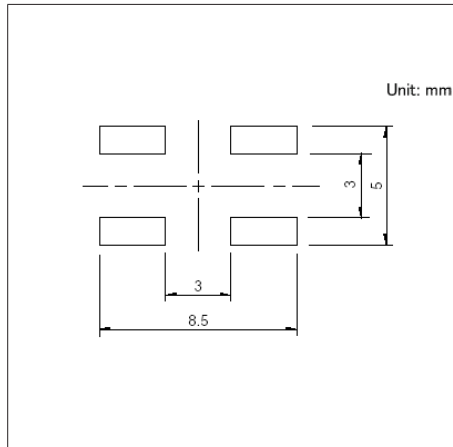
6.2mm Square (Surface Mount)
SKRA Series

Drawing No.3

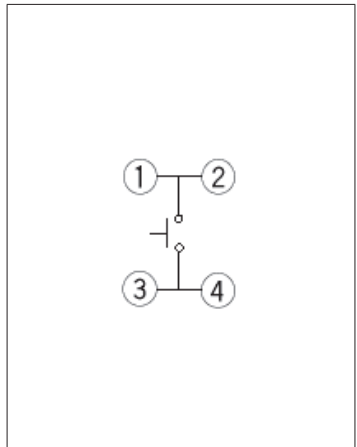
■ Dimensions



■ Land Dimensions



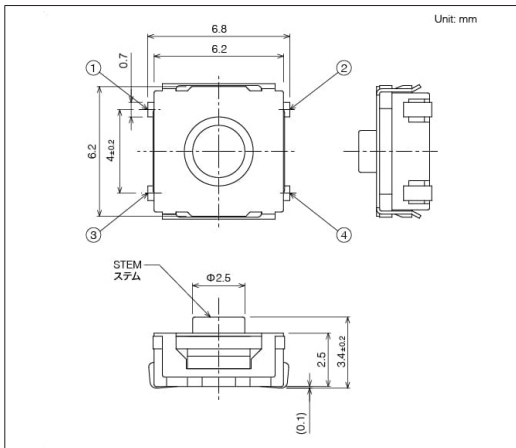
■ Circuit Diagram



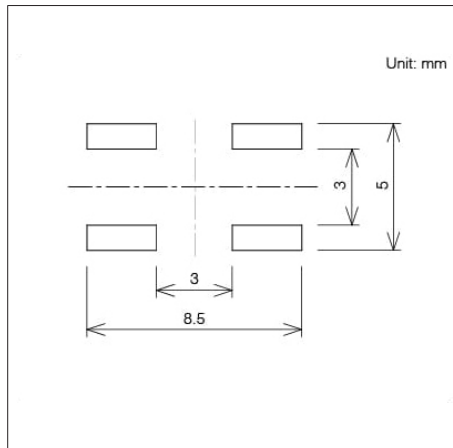
Viewed from switch mounting face

Drawing No.4

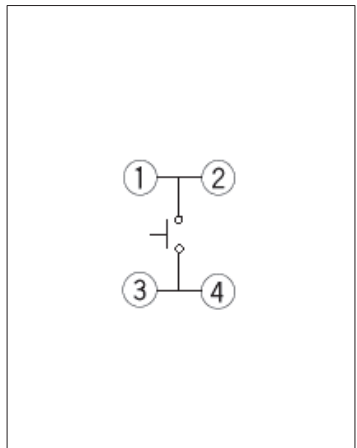
■ Dimensions



■ Land Dimensions



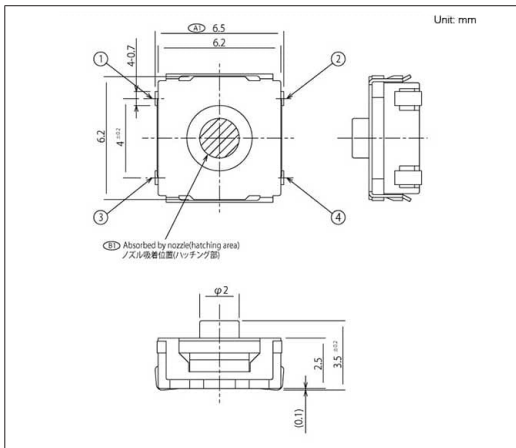
■ Circuit Diagram



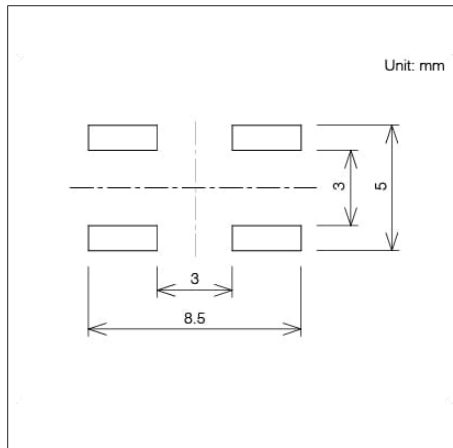
Viewed from switch mounting face

Drawing No.5

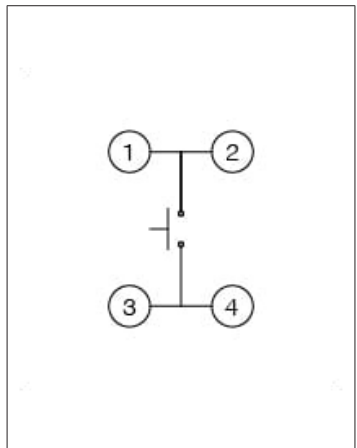
■ Dimensions



■ Land Dimensions



■ Circuit Diagram



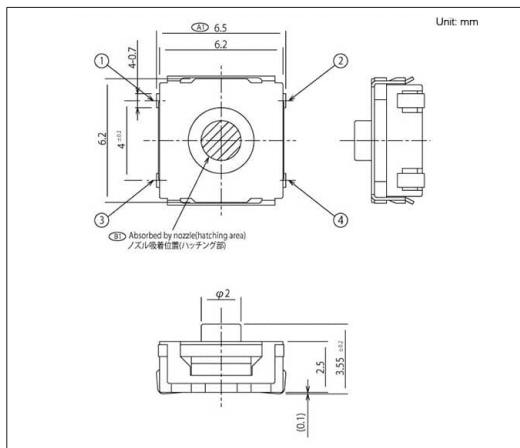
Viewed from switch mounting face

TACT Switch™ Surface Mount Type

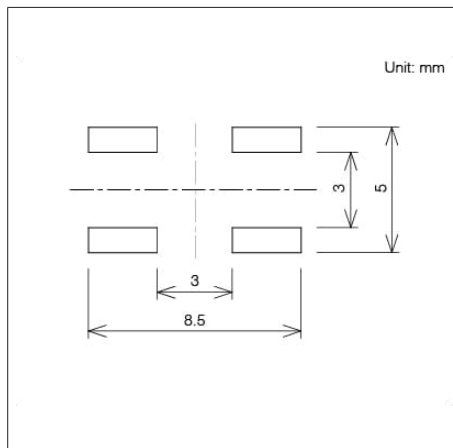
6.2mm Square (Surface Mount)
SKRA Series

Drawing No.6

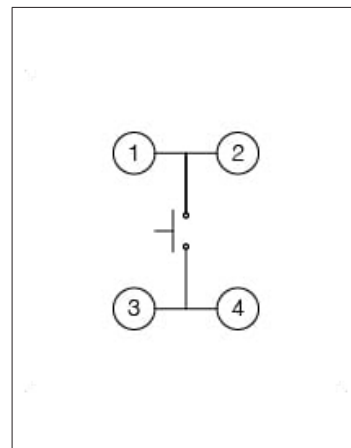
■ Dimensions



■ Land Dimensions



■ Circuit Diagram



Viewed from switch mounting face