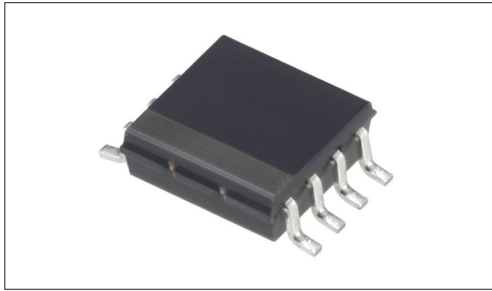


## Sensors Magnetic Sensors

Analog Linear Output Type  
HGAR Series

High output suitable for high-resolution absolute angle and position detection.


 Automotive

※Please check the product list for compatible products

■ Type: Angle (Surface mount)

Applications: Energy\_Industrial: Robots, drones, Industrial equipment, Converters  
 Game: Virtual/augmented reality  
 Healthcare: Healthcare equipment, Nursing care equipment, Analysis, test equipment  
 Automotive: Navigation/audio systems, HVAC, Shifter, Steering

## ■ Product List

Products No.	Package specifications	Function	Operating magnetic field	Drive voltage	Size (mm)	Automotive	Drawing No.
HGARPS011A	TSSOP8 type	Sin/Cos output	10 to 120mT	5.5V max.	3.0×4.9×1.1	●	1
HGARAP001A	MSOP type	Sin/Cos output	20 to 60mT	5.5V max.	2.95×4.0×1.1	●	2
HGARAN008A	DFN type	Sin/Cos output	20 to 60mT	5.5V max.	1.8×1.05×0.65	—	3

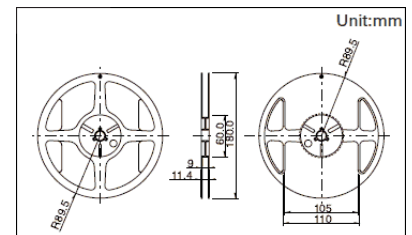
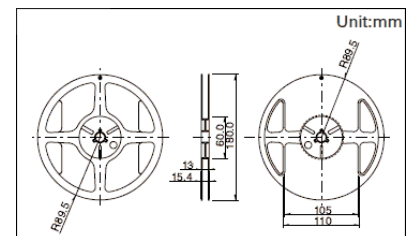
 Note

- This catalog shows only outline specifications. When using the products, please obtain formal specifications for supply.
- Place your purchase order in N minimum package units (N: integer).

## ■ Packing Specifications

Taping

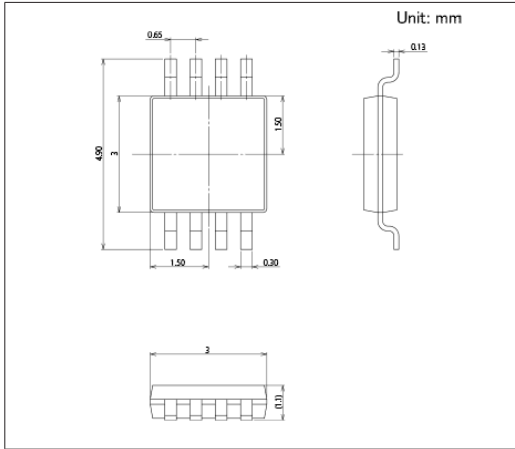
Products No.	Number of packages(pcs.)			Tape width (mm)	Export package measurements (mm)
	1 reel	1 case / Japan	1 case / export packing		
HGARPS011A	3,000	3,000	21,000	12	378×381×276
HGARAP001A	3,000	3,000	3,000	12	210 x 210 x 230
HGARAN008A	3,000	3,000	3,000	8	210 x 210 x 230



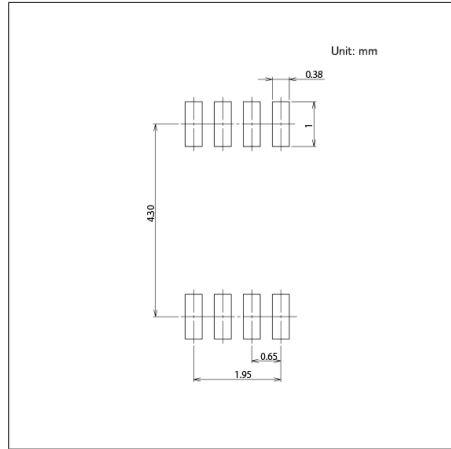
Analog Linear Output Type  
**HGAR Series**

**Drawing No.1**

■ Dimensions

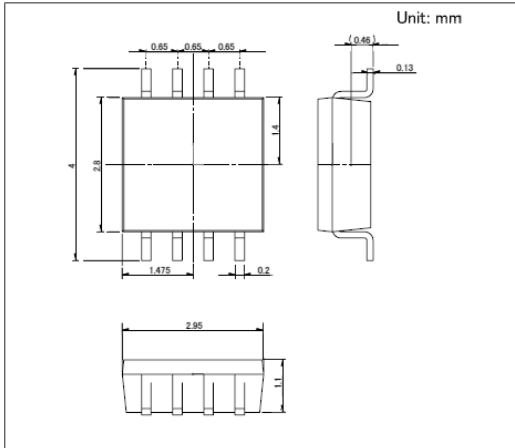


■ Land Dimensions



**Drawing No.2**

■ Dimensions



**Drawing No.3**

■ Dimensions

